



User Guide

EVB-ATEK850P3-01

Document Code : 023-446101
Revision No : 01
Revision Date : 25/11/2024

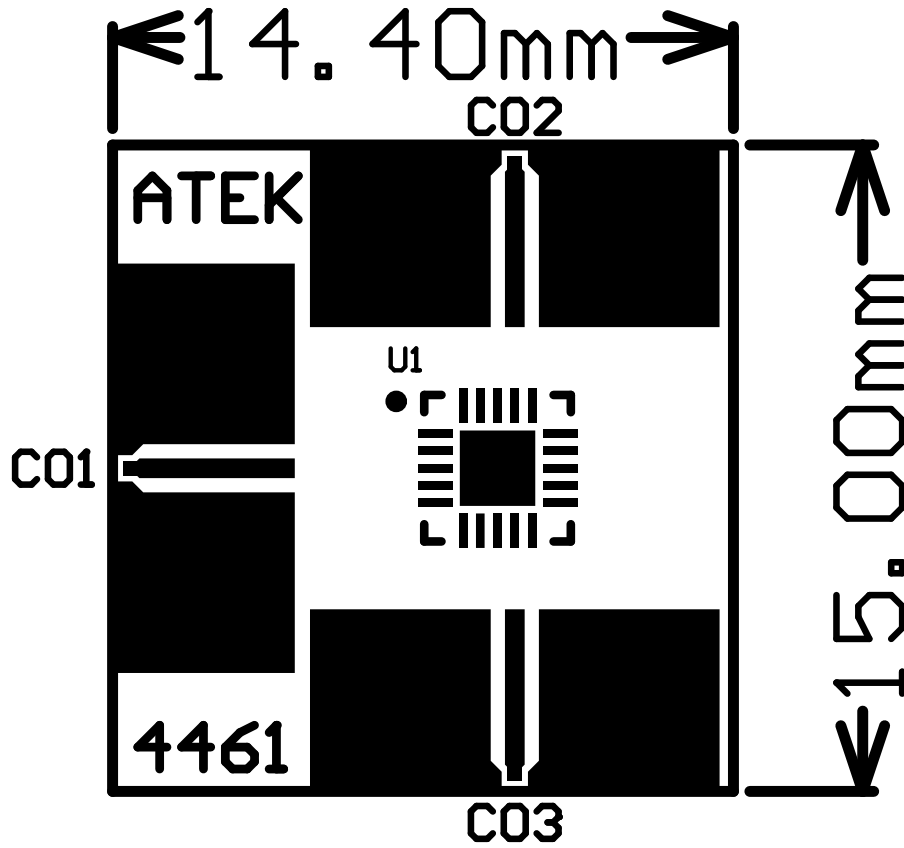
Revisions

Revision No	Revision Date	Revision Reason	Section / Page No
1.0	25.11.2024	Initial Release	

INDEX

1	GENERAL INFORMATION	3
2	DESIGN INFORMATION	4
2.1	SCHEMATIC	4
2.2	BOM	4
3	TYPICAL PERFORMANCE PLOTS.....	5

1 GENERAL INFORMATION



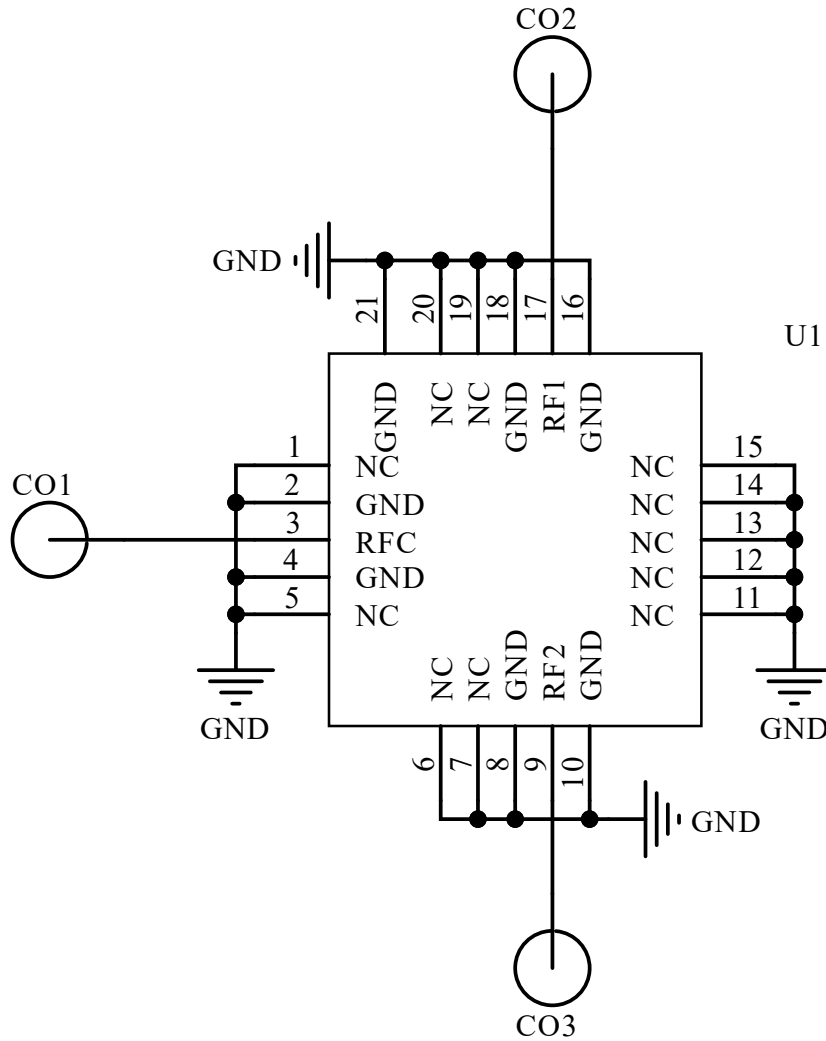
PIN Name	Definition	Comment
CO1	RF IN	K Connector
CO2	RF1	K Connector
CO3	RF2	K Connector

Notes:

1. Refer to the datasheet for details.

2 DESIGN INFORMATION

2.1 SCHEMATIC



2.2 BOM

Designator	Footprint	Qty	Comment	PN
CO1, CO2, CO3	K Connector	3	K Connector	ATEK9292
U1	ATEKQ3320	1	Power Divider	ATEK850P3

3 TYPICAL PERFORMANCE PLOTS

Conditions unless otherwise specified: T = 25 C, CW. For details, please refer to the datasheet.

Insertion Loss

