



User Guide

EVB-ATEK848P3-01

Document Code : 023-444101
Revision No : 01
Revision Date : 25/11/2024

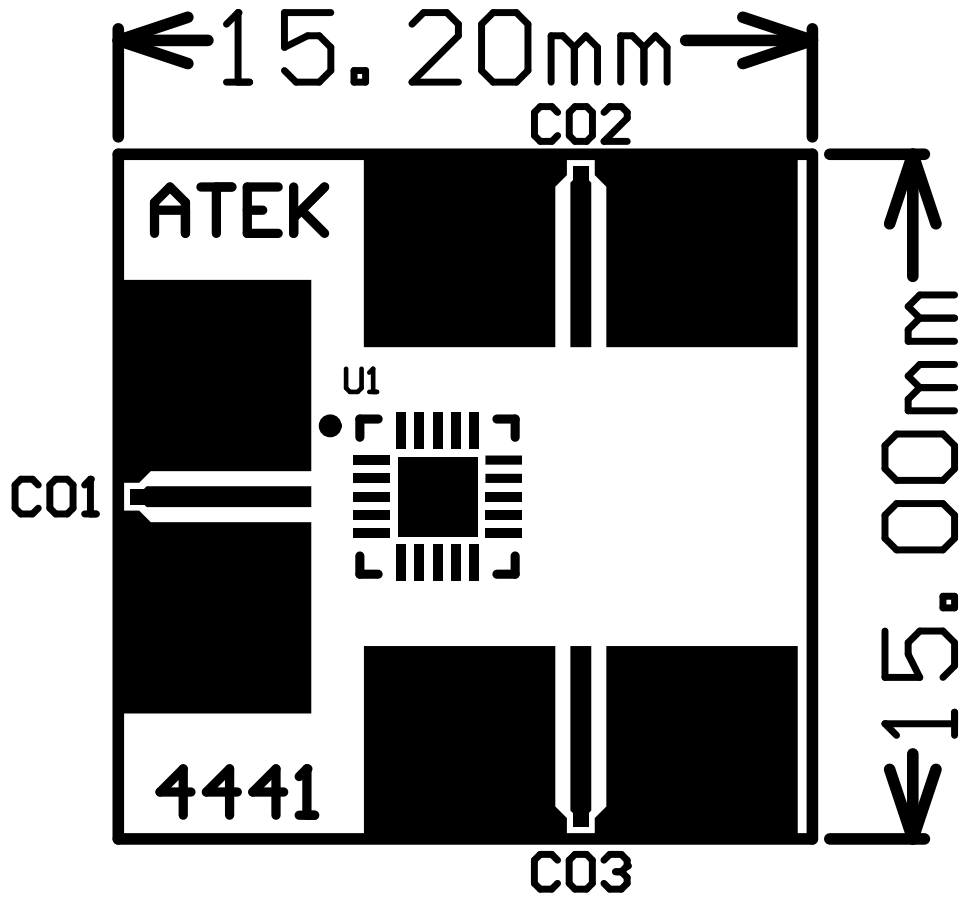
Revisions

| Revision No | Revision Date | Revision Reason | Section / Page No |
|-------------|---------------|-----------------|-------------------|
| 1.0 | 25.11.2024 | Initial Release | |

INDEX

| | | |
|-----|--------------------------------|---|
| 1 | GENERAL INFORMATION | 3 |
| 2 | DESIGN INFORMATION | 4 |
| 2.1 | SCHEMATIC | 4 |
| 2.2 | BOM | 4 |
| 3 | TYPICAL PERFORMANCE PLOTS..... | 5 |

1 GENERAL INFORMATION



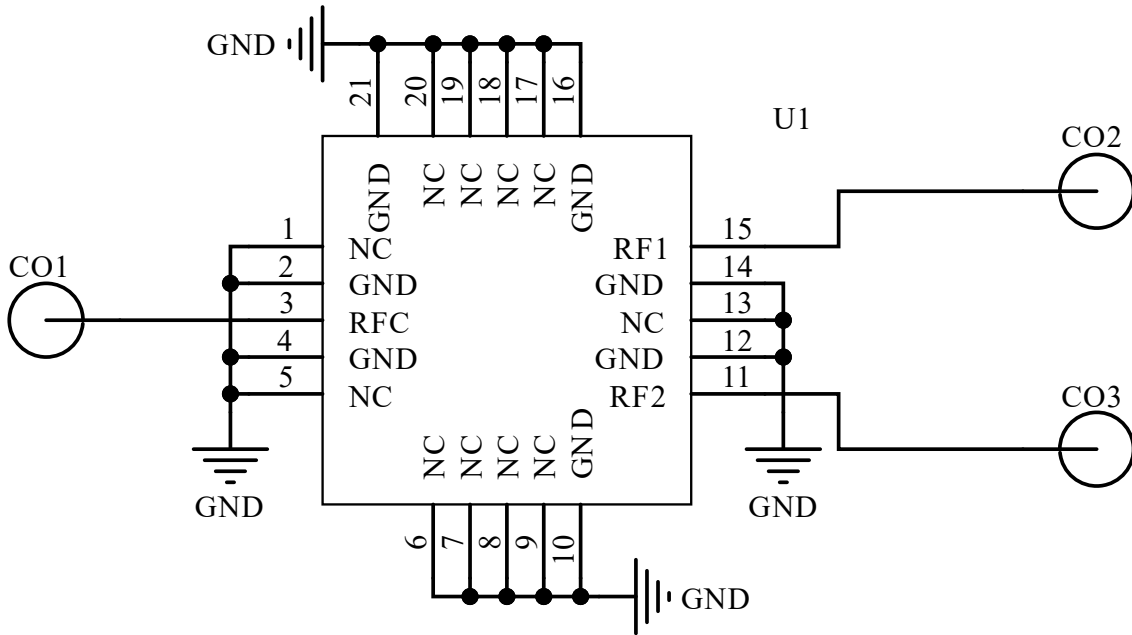
| PIN Name | Definition | Comment |
|----------|------------|-------------|
| CO1 | RF IN | K Connector |
| CO2 | RF1 | K Connector |
| CO3 | RF2 | K Connector |

Notes:

1. Refer to the datasheet for details.

2 DESIGN INFORMATION

2.1 SCHEMATIC



2.2 BOM

| Designator | Footprint | Qty | Comment | PN |
|---------------|-------------|-----|---------------|-----------|
| CO1, CO2, CO3 | K Connector | 3 | K Connector | ATEK9292 |
| U1 | ATEKQ3320 | 1 | Power Divider | ATEK848P3 |

3 TYPICAL PERFORMANCE PLOTS

Conditions unless otherwise specified: T = 25 C, CW. For details, please refer to the datasheet.

Insertion Loss

