



User Guide

EVB-ATEK822P4-01

Document Code : 023-217101
Revision No : 02
Revision Date : 26/07/2023

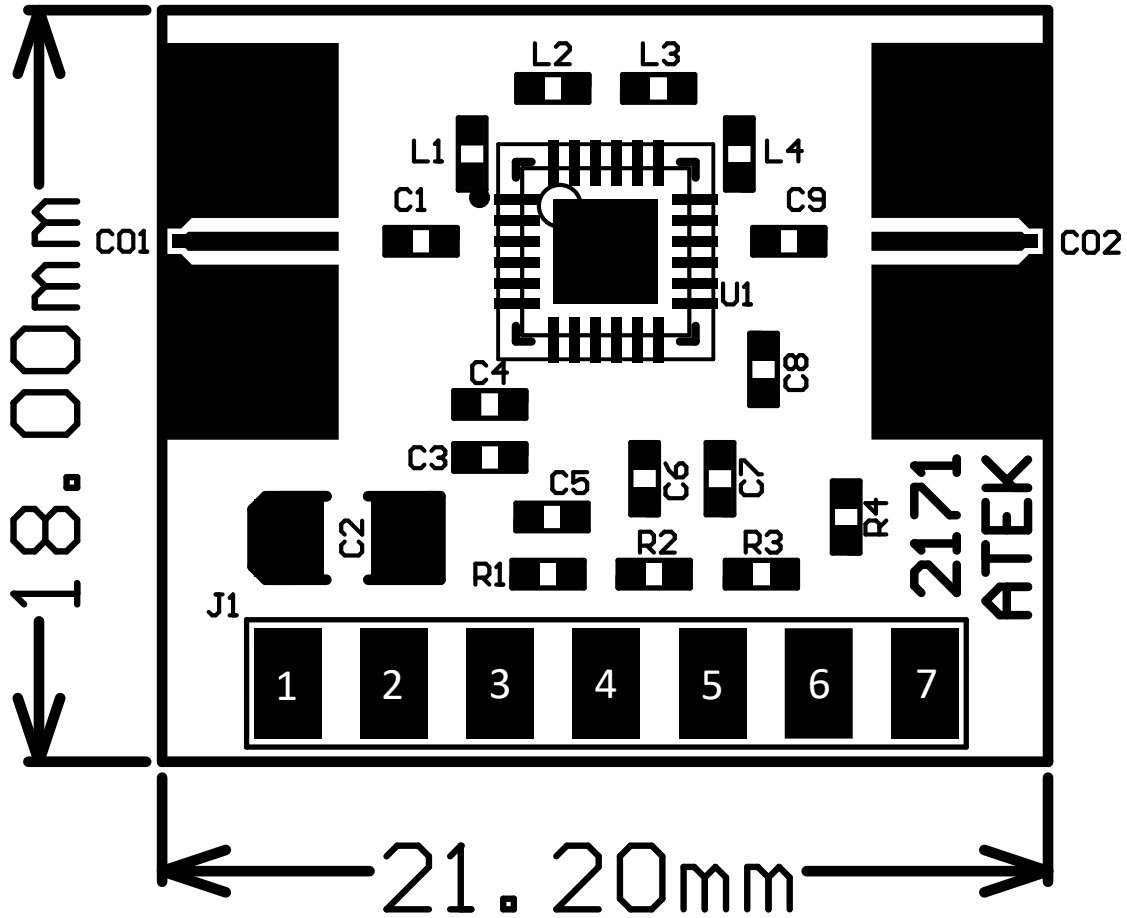
Revisions

Revision No	Revision Date	Revision Reason	Section / Page No
1.0	30.01.2023	Initial Release	
1.1	26.07.2023	Pin Description Revised	

INDEX

1	GENERAL INFORMATION	3
2	DESIGN INFORMATION.....	4
2.1	SCHEMATIC.....	4
2.2	BOM	4
3	TYPICAL PERFORMANCE PLOTS.....	5

1 GENERAL INFORMATION



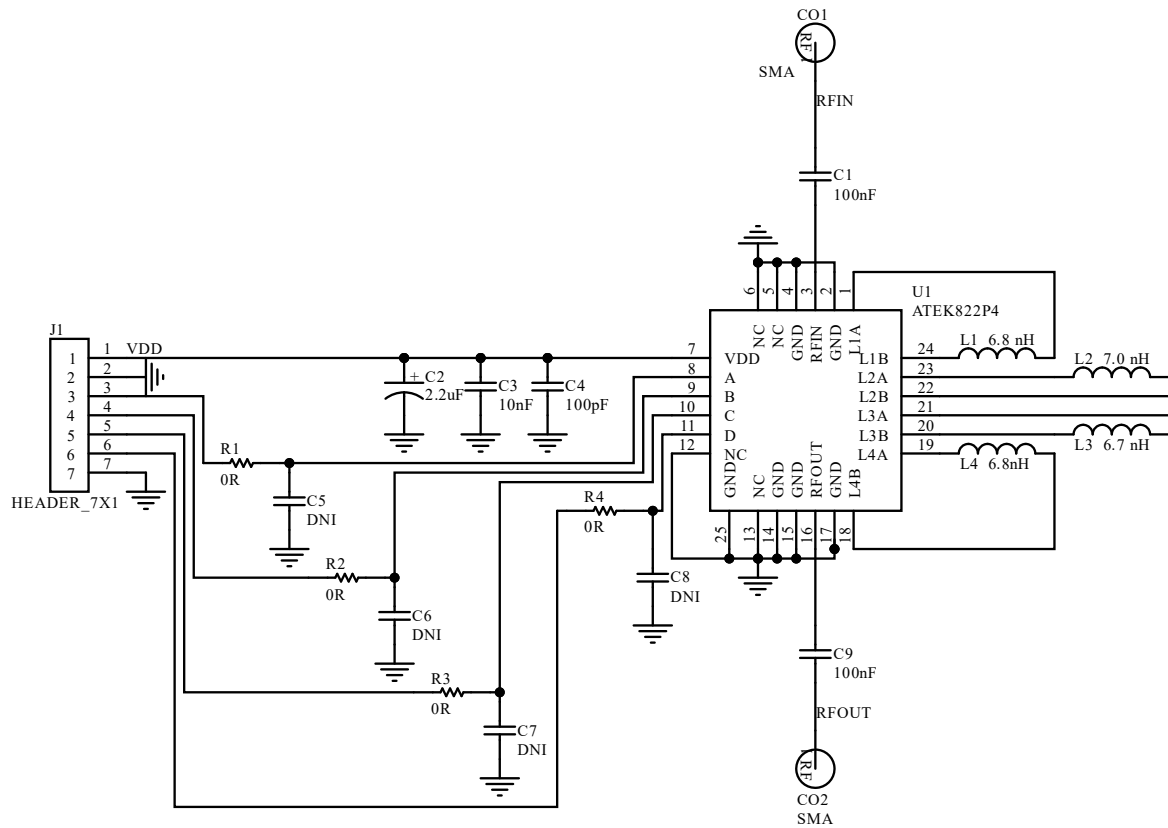
PIN Name	Definition	Comment
C01	RF IN	SMA Connector
C02	RF OUT	SMA Connector
J1.1	VDD	2.54mm Header
J1.2, J1.7	GND	2.54mm Header
J1.3	CTRLA	2.54mm Header
J1.4	CTRLB	2.54mm Header
J1.5	CTRLC	2.54mm Header
J1.6	CTRLD	2.54mm Header

Notes:

1. Refer to the datasheet for VDD and Control Voltages details.

2 DESIGN INFORMATION

2.1 SCHEMATIC



2.2 BOM

Designator	Footprint	Qty	Comment	PN
C1, C9	0402	2	100nF	
C2	CASEA	1	2.2uF	
C3	0402	1	10nF	
C4	0402	1	100pF	
C5, C6, C7, C8	0402	4	DNI	
CO1, CO2	SMA Connector	2	SMA Connector	
J1	7x1 Header	1	7x1 Header	
L1, L4	0402	2	6.8nH	
L2	0402	1	7nH	
L3	0402	1	6.7nH	
R1, R2, R3, R4	0402	4	0R	
U1	ATEKQ4424	1	ATEK822P4	

3 TYPICAL PERFORMANCE PLOTS

Conditions unless otherwise specified: $V_{DD} = 5\text{ V}$, $T = 25\text{ C}$, CW. For details, please refer to the datasheet.

