



User Guide

EVB-ATEK766P3-01

Document Code : 023-220101
Revision No : 01
Revision Date : 25/11/2024

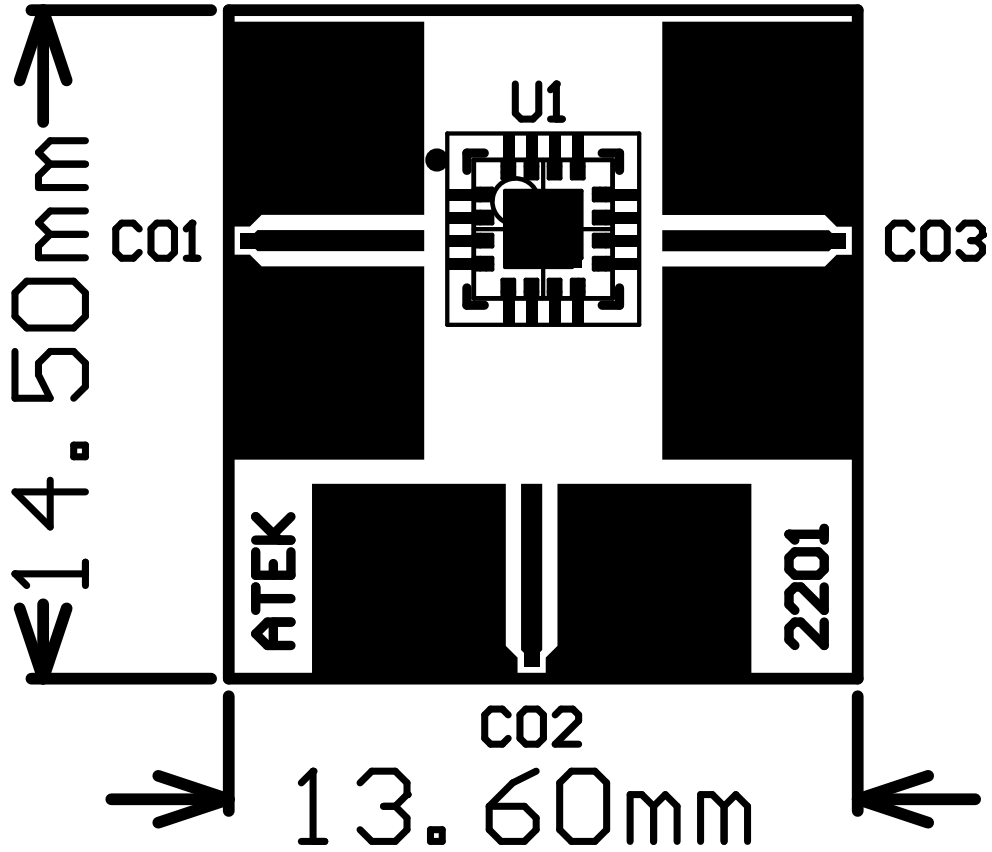
Revisions

Revision No	Revision Date	Revision Reason	Section / Page No
1.0	25.11.2024	Initial Release	

INDEX

1	GENERAL INFORMATION	3
2	DESIGN INFORMATION	4
2.1	SCHEMATIC	4
2.2	BOM	4

1 GENERAL INFORMATION



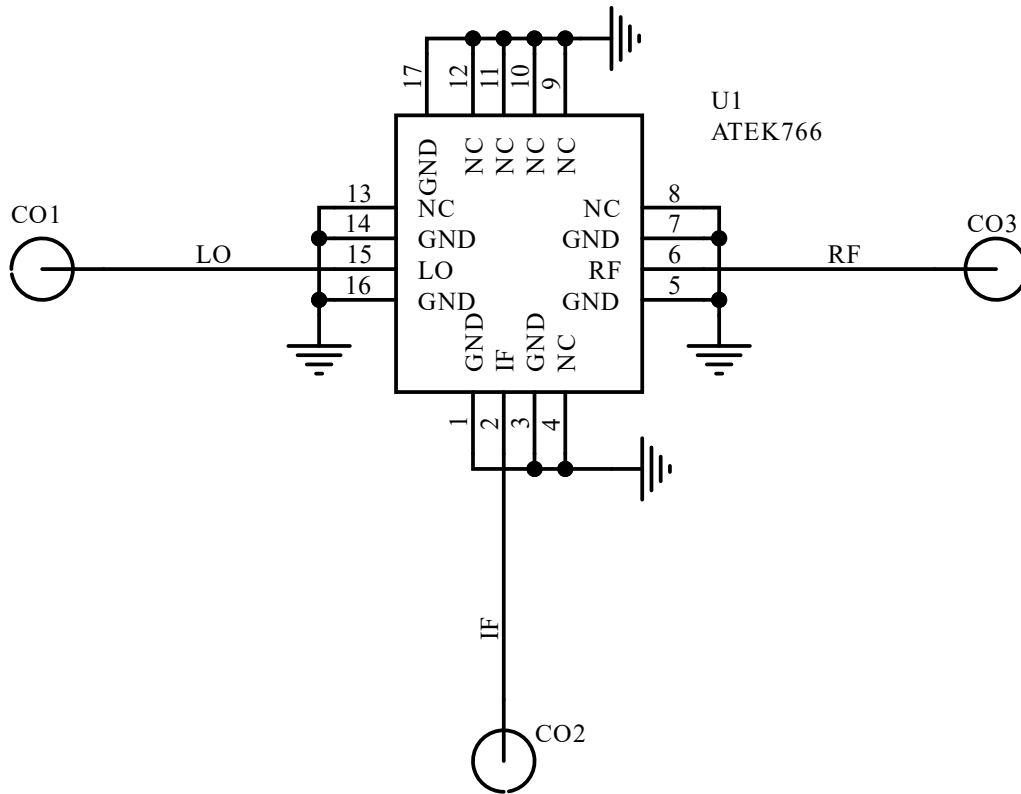
PIN Name	Definition	Comment
CO1	LO	SMA Connector
CO2	IF	SMA Connector
CO3	RF	SMA Connector

Notes:

1. Refer to the datasheet for details.

2 DESIGN INFORMATION

2.1 SCHEMATIC



2.2 BOM

Designator	Footprint	Qty	Comment	PN
CO1, CO2, CO3	SMA Connector	3	SMA Connector	
U1	ATEKQ3316	1	Mixer	ATEK766P3