



# User Guide

## EVB-ATEK563P5-01

---

Document Code : 023-513101  
Revision No : 01  
Revision Date : 30/10/2024

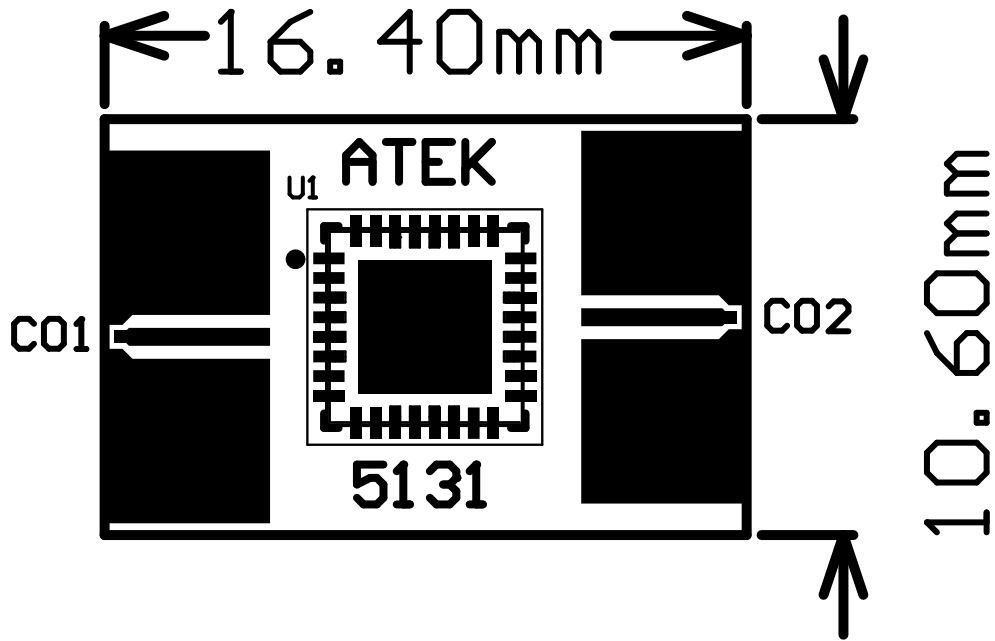
**Revisions**

Revision No	Revision Date	Revision Reason	Section / Page No
1.0	30.10.2024	Initial Release	

**INDEX**

1	GENERAL INFORMATION .....	3
2	DESIGN INFORMATION .....	4
2.1	SCHEMATIC .....	4
2.2	BOM .....	4
3	TYPICAL PERFORMANCE PLOTS.....	5

1 GENERAL INFORMATION



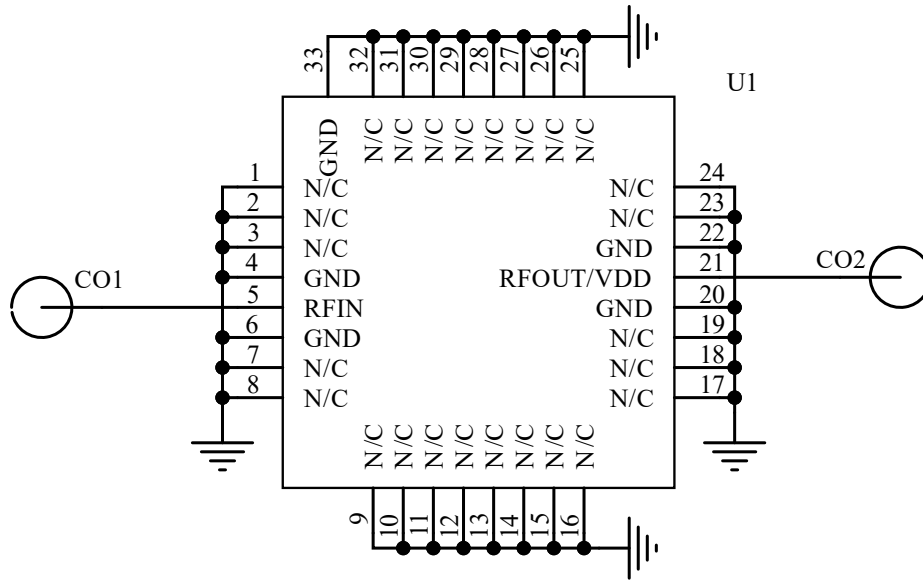
PIN Name	Definition	Comment
CO1	RF IN	K Connector
CO2	RF OUT	K Connector

Notes:

1. Refer to the datasheet for VDD Voltage details.

2 DESIGN INFORMATION

2.1 SCHEMATIC



2.2 BOM

Designator	Footprint	Qty	Comment	PN
CO1, CO2	K Connector	2	K Connector	ATEK9292
U1	ATEKQ5532	1	Amplifier	ATEK563P5

3 TYPICAL PERFORMANCE PLOTS WITH EXTERNAL CONNECTORIZED BIAS TEE AND EXTERNAL DC BLOCK CAPACITOR

Conditions unless otherwise specified:  $V_{DD} = 10\text{ V}$ ,  $T = 25\text{ C}$ , CW. For details, please refer to the datasheet.

