



User Guide

EVB-ATEK350AN4-02

Document Code : 023-135201
Revision No : 01
Revision Date : 18/07/2023

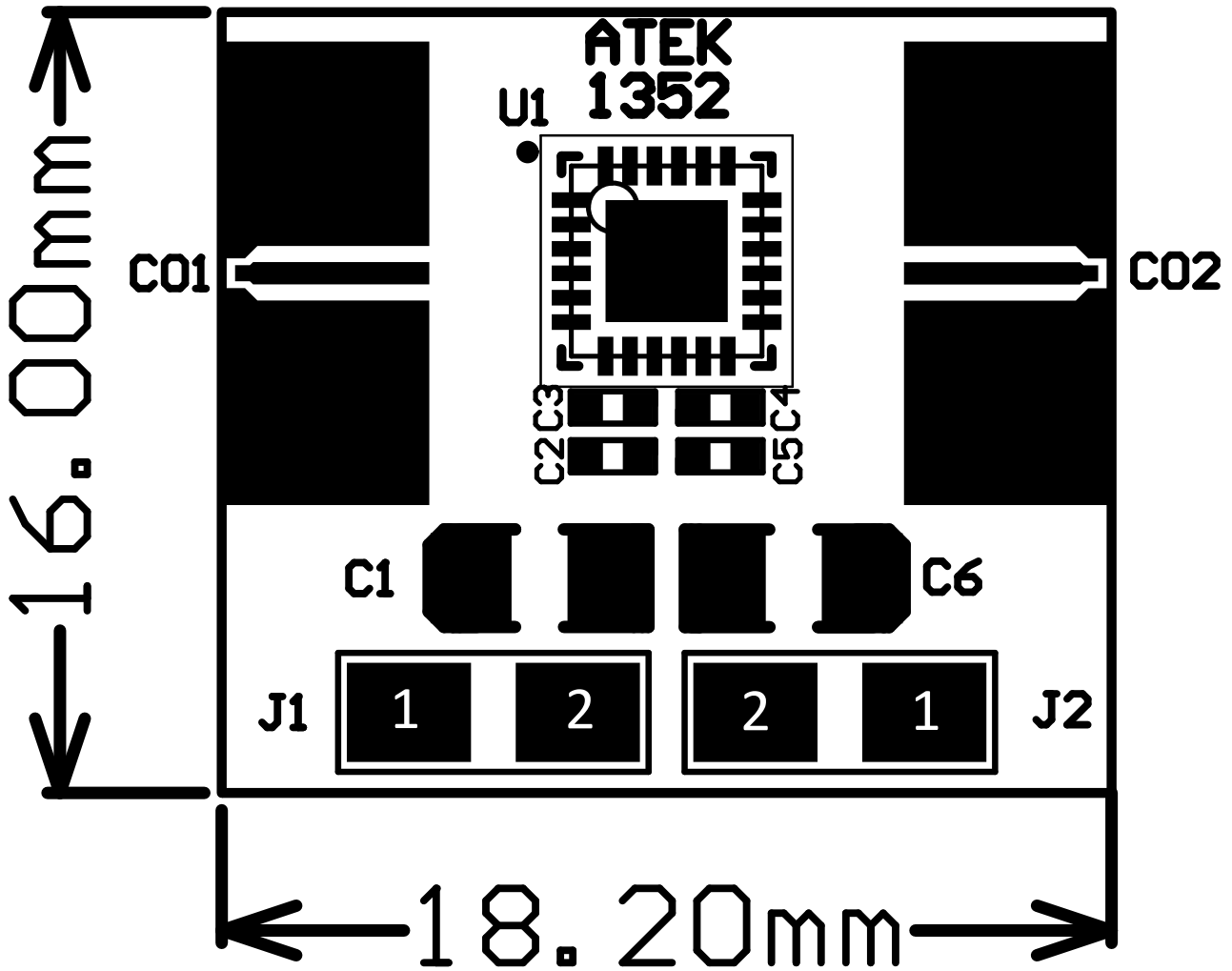
Revisions

Revision No	Revision Date	Revision Reason	Section / Page No
1.0	18.07.2023	Initial Release	

INDEX

1	GENERAL INFORMATION	3
2	DESIGN INFORMATION	4
2.1	SCHEMATIC	4
2.2	BOM	4
3	TYPICAL PERFORMANCE PLOTS.....	5

1 GENERAL INFORMATION



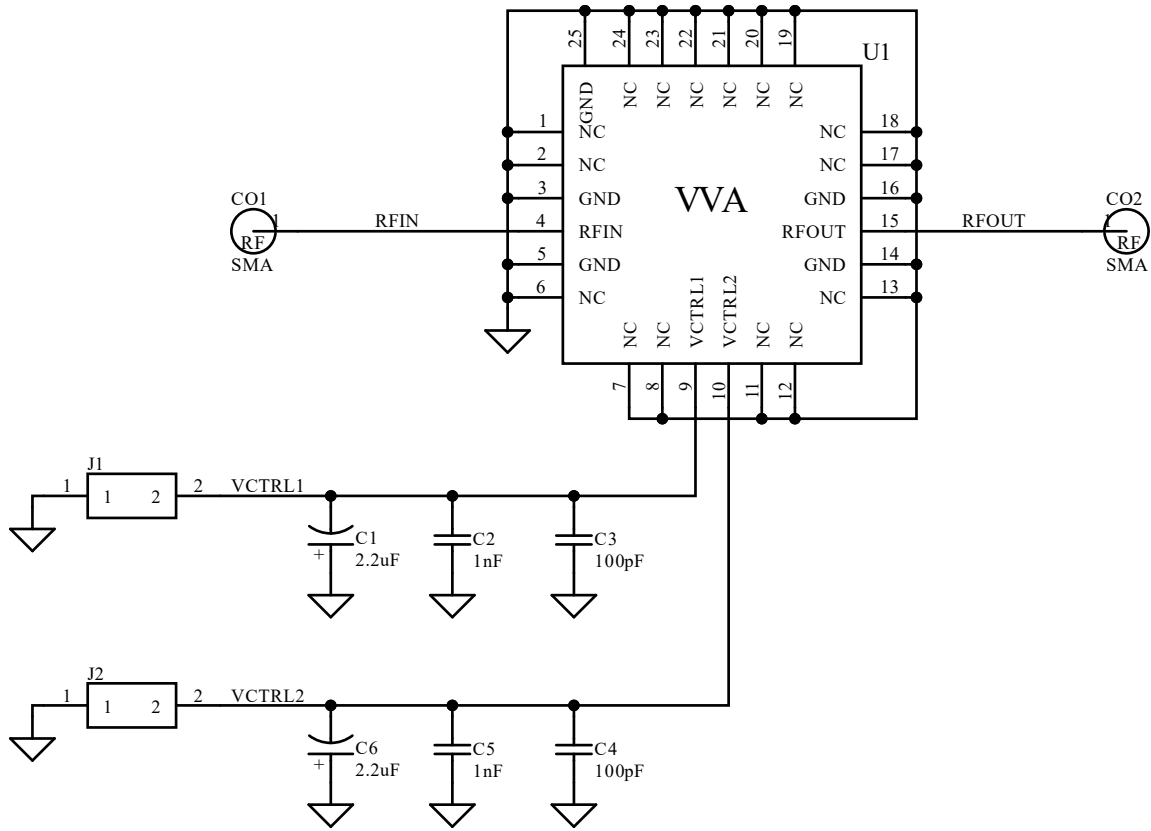
PIN Name	Definition	Comment
C01	RF IN	K Connector
C02	RF OUT	K Connector
J1.1	GND	2.54mm Header
J1.2	VCTRL1	2.54mm Header
J2.1	GND	2.54mm Header
J2.2	VCTRL2	2.54mm Header

Notes:

1. Refer to the datasheet for Control Voltage details.

2 DESIGN INFORMATION

2.1 SCHEMATIC



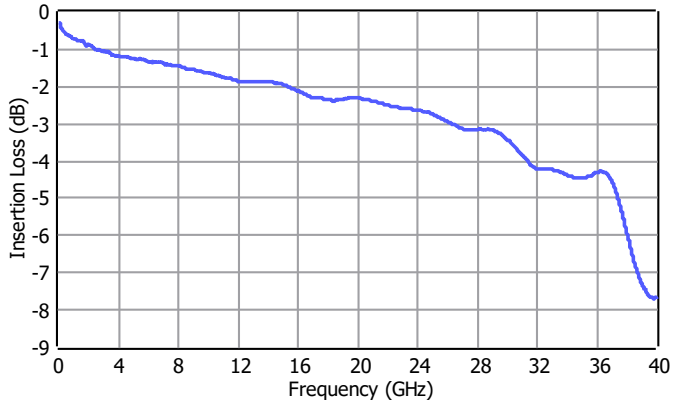
2.2 BOM

Designator	Footprint	Qty	Comment	PN
C1, C6	CASEA	2	2.2uF	
C2, C5	0402	2	1nF	
C3, C4	0402	2	100pF	
CO1, CO2	K Connector	2	K Connector	ATEK9292
J1, J2	2x1 Header	2	2x1 Header	
U1	ATEKQ4424	1	VVA	ATEK350AN4

3 TYPICAL PERFORMANCE PLOTS

Conditions unless otherwise specified: $V_{CTRL1} = V_{CTRL2}$, $T = 25\text{ C}$, CW. For details, please refer to the datasheet.

Insertion Loss vs. Vctrl1



Attenuation vs. Vctrl1

