



User Guide

EVB-ATEK256N3-01

Document Code : 023-101301
Revision No : 02
Revision Date : 25/07/2023

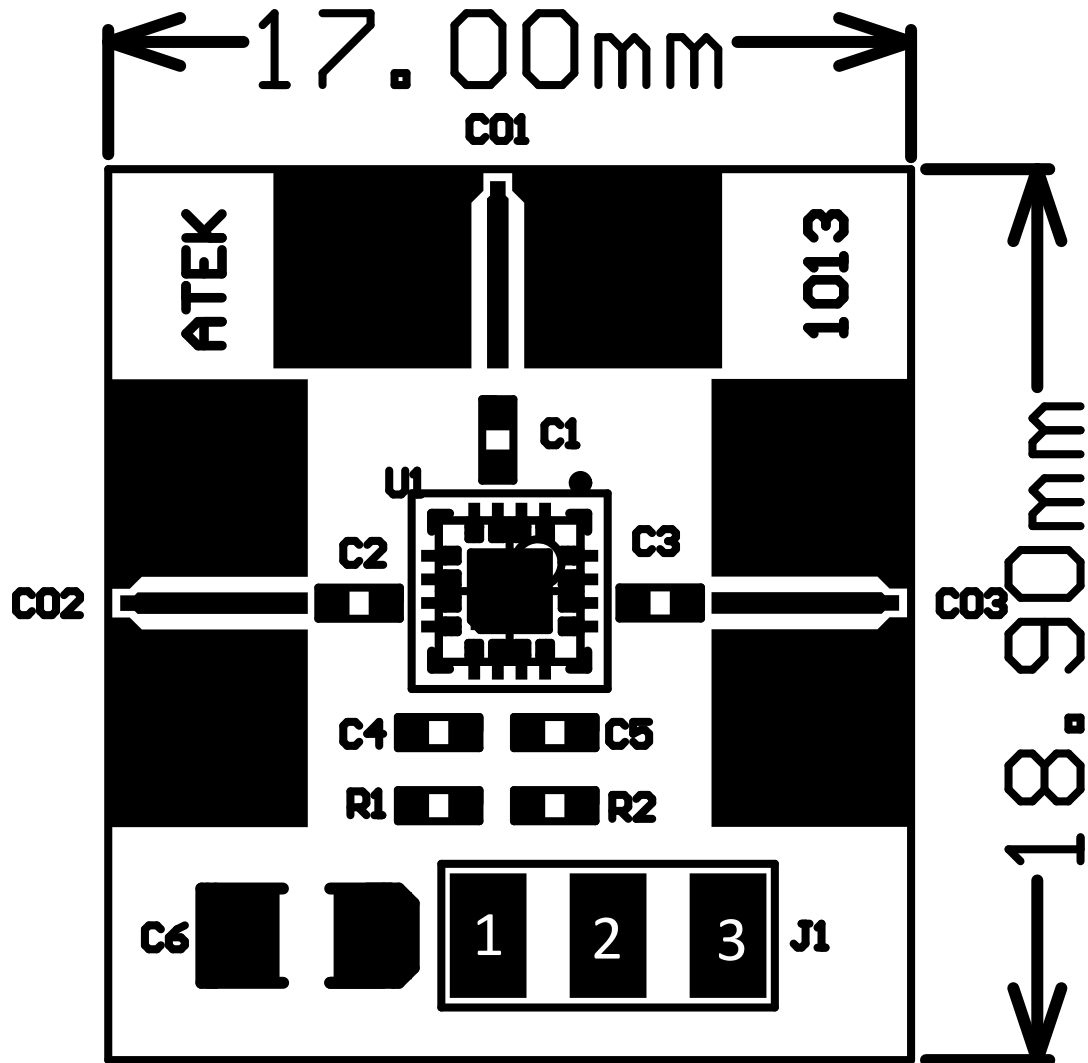
Revisions

Revision No	Revision Date	Revision Reason	Section / Page No
1.0	29.06.2022	Initial Release	
1.1	25.07.2023	Pin Definition Revised	

INDEX

1	GENERAL INFORMATION	3
2	DESIGN INFORMATION.....	4
2.1	SCHEMATIC.....	4
2.2	BOM	4
3	TYPICAL PERFORMANCE PLOTS.....	5

1 GENERAL INFORMATION



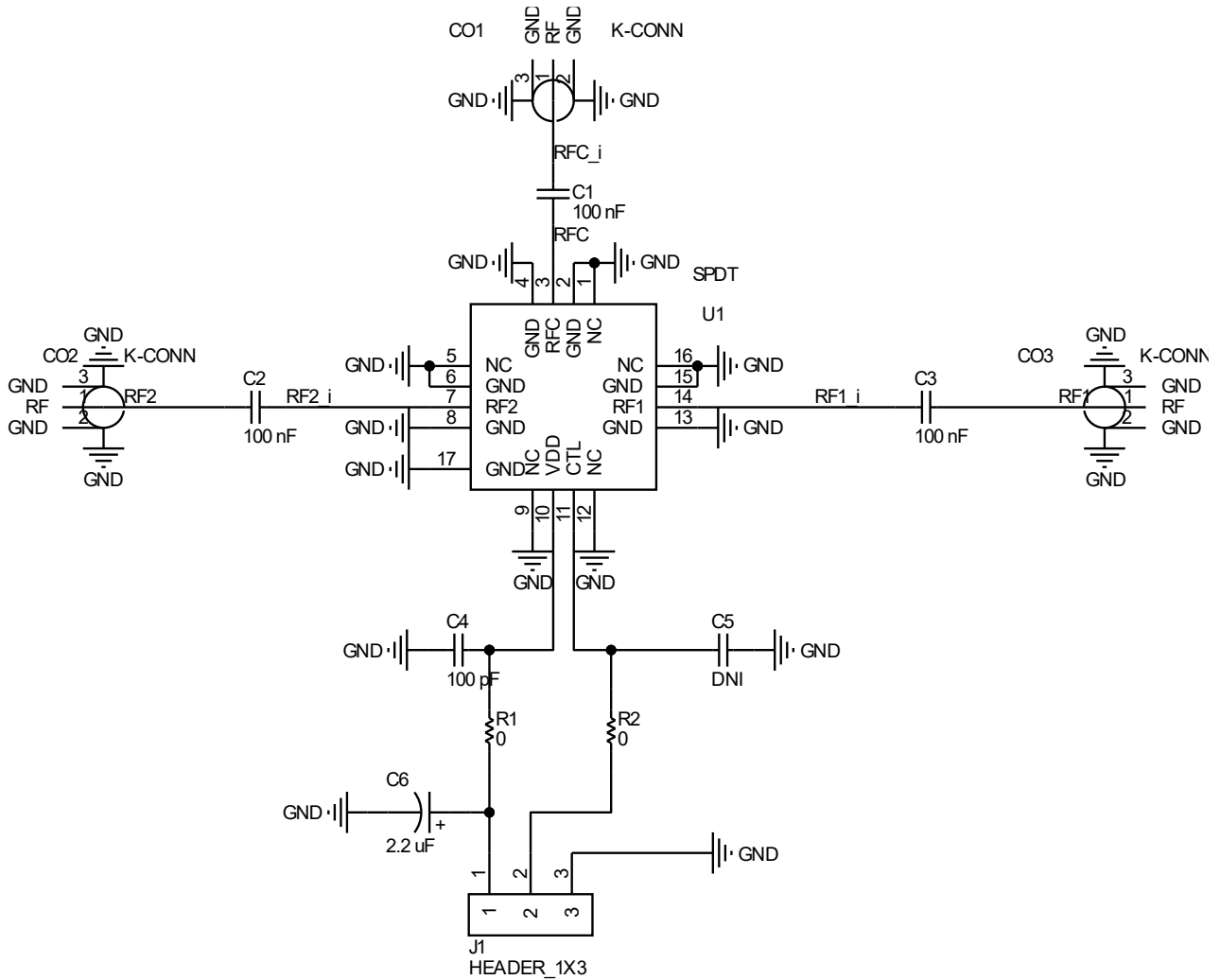
PIN Name	Definition	Comment
CO1	RF IN	K Connector
CO2, CO3	RF OUT	K Connector
J1.1	VDD	2.54mm Header
J1.2	CTRL	2.54mm Header
J1.3	GND	2.54mm Header

Notes:

1. Refer to the datasheet for VDD and Control Voltage details.

2 DESIGN INFORMATION

2.1 SCHEMATIC



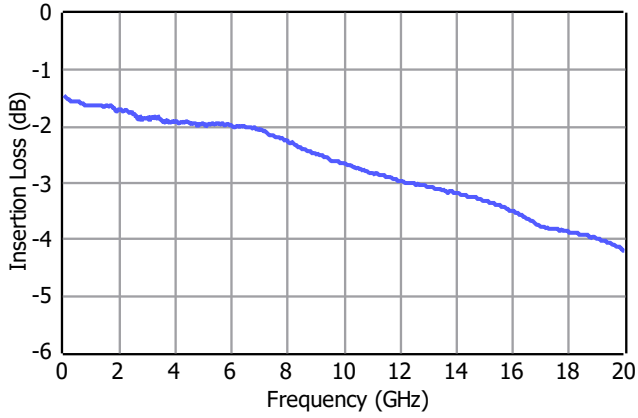
2.2 BOM

Designator	Footprint	Qty	Comment	PN
C1, C2, C3	0402	3	100nF	
C4	0402	1	100pF	
C5	0402	1	DNP	
C6	0402	1	1nF	
C7	CASEA	1	2.2uF	
C8	0402	1	DNP	
CO1, CO2, CO3	K Connector	3	K Connector	ATEK9292
J1	3x1 Header	1	3x1 Header	
R1, R2	0402	2	0R	
U1	ATEKQ3316	1	SPDT	ATEK256N3

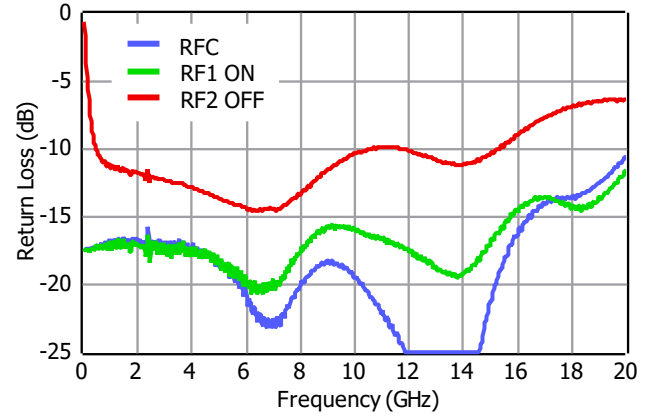
3 TYPICAL PERFORMANCE PLOTS

Conditions unless otherwise specified: $V_{CTRL} = 0/5\text{ V}$, $T = 25\text{ C}$, CW. For details, please refer to the datasheet.

Insertion Loss



Return Loss



Isolation

